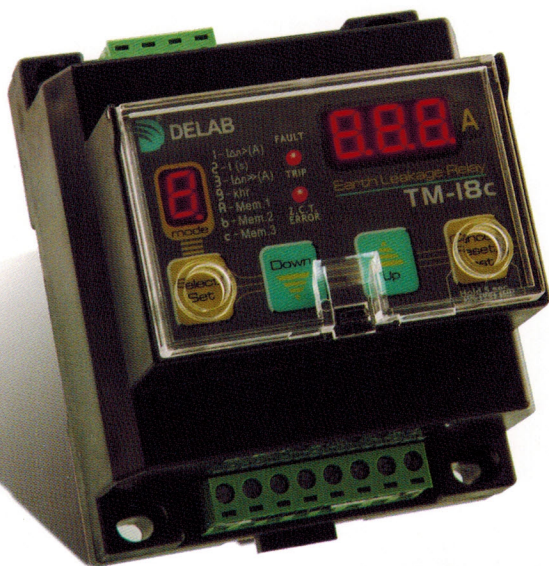


**\*18r** *Auto-reset*



- True RMS Measurement
- Lo-set
- Hi-set
- Operation Hour Recording
- Fault & Trip LED Indication
- Trip Value Recording (3 memory)
- Auto Z.C.T. Connection Check (open/short)
- Total Trip Count Information
- \*Self-reclosing / Auto-reset
- \*Remote External Reset Output
- \*Trip Lock-out Setting
- Programmable Relay Output
- Software Lock to Prevent Unauthorized Setting
- Complies with :  
IEC-61000-4-2/4-4/4-5/255-5:1 Standards

## technical data

Current Input (I $\Delta$ n)	: ZCT (multiple sizes from ID of 25~200mm)
Output Relay Rating	: SPDT 5A, 250V AC/DC
Display	: 7-Segment LED (3 + 1 digit)
Indication (LEDs)	: mA / trip / Z.C.T. error
Operating Temp.	: 0°C ~ +55°C
Humidity	: 56 days at 93%RH, 40°C non-condensing
IP Rating	: IP52 (front panel)
Weight	: 320 g

## parameter setting

I $\Delta$ n >: lo-set	30 mA ~ 30 A 0.03, 0.05, 0.1, 0.3, 0.5, 0.8, 1.0, 1.5, 2.0, 3.0, 5.0, 10, 15, 20, 30
t>: lo-set trip delay time	0.05s ~ 20.0s 0.05, 0.10 ~ 20.0 (step of 0.1s)
I $\Delta$ n >>: hi-set	OFF or 5~50 Amp (5 Amp step)
t>>: hi-set trip delay time	fixed @ 30ms

## \*auto-reset setting

Trip lock-out setting	:	1 ~ 10
Auto reset timer	:	3.0 ~ 200 sec.

## fundamental frequency

50 or 60Hz Selectable

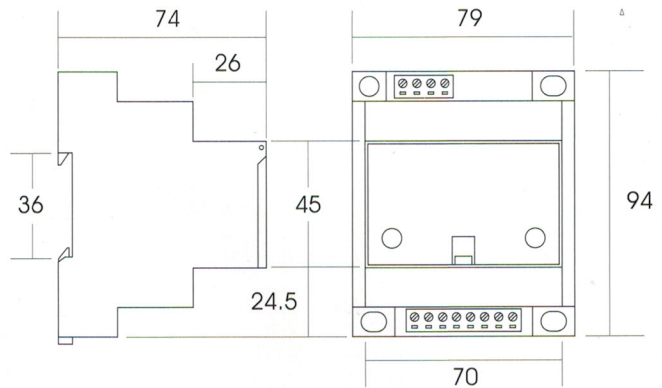
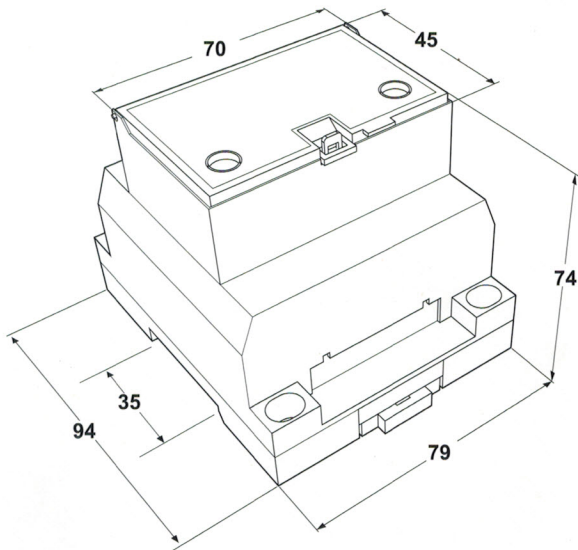
## K1 output contact

Latching (Lc) trip

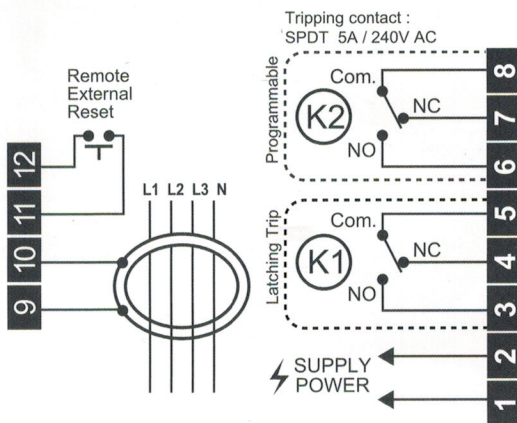
## programmable K2 output contact

Latching or non-latching (nLc)

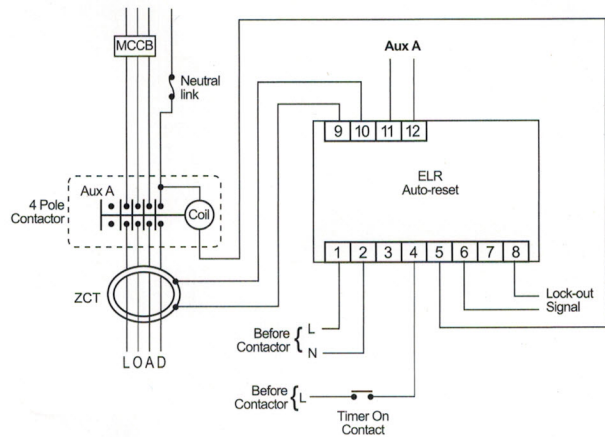
## casing dimension



## wiring diagram



## auto-reset wiring diagram



## ordering information

Model	Description
TM-18c	220 ~ 240 Vac (50~60Hz)
TM-18r	Auto-reset type : 220 ~ 240 Vac (50~60Hz)