



144 x 144mm

## FEATURES

- 1CT-1 phase sensing
- Intelligent Algorithm which Automatically switches between capacitor banks
- 6,8,12 steps
- Under compensation alarm (optional)
- User selection of auto/manual mode
- Auto detection of kVAr values.
- Universal auxiliary supply.

## Display Specifications

Type	: 7 Segment LED
Digits	: 4 digits 1 Row

## Input Specifications

Rated Input Voltage	: 40-300V AC(L-N)
Rated Input Current	: Nominal 5A/AC (Min 50mA, Max 6A)
Frequency	: 45-65 Hz
Burden	: <8VA
Wiring Input	: L-N
Accuracy	: Voltage, Current, kVAr $\pm 1.0\%$ & Power factor $\pm 1.0\%$

## Measurement Range

Power Factor	: 0.8 lag to 0.8 lead
--------------	-----------------------

<b>Alarm Indications</b>	: Under compensation
--------------------------	----------------------

## Settable Parameters

CT Primary	: 5A - 5000A AC (Selectable)
------------	------------------------------

## Output Specifications

Output Contacts	: NO, One common point Max fuse 6A
Steps	: Upto 12 steps (Max)
Relay Contact	: 5A @ 250VAC (Max)

## Auxiliary Supply Specifications

Input voltage range	: 85 - 270V AC/DC
Consumption	: 7VA max
Frequency	: 50-60 Hz

## Control Specifications

Target PF	: 0.8 lag to 0.8 lead
Control Sensitivity	: 5% to 100%
Discharge & Reconnection	: 1 to 999 sec
Switching program	: Intelligent Algorithm Switching
Control Mode	: Automatic / Manual

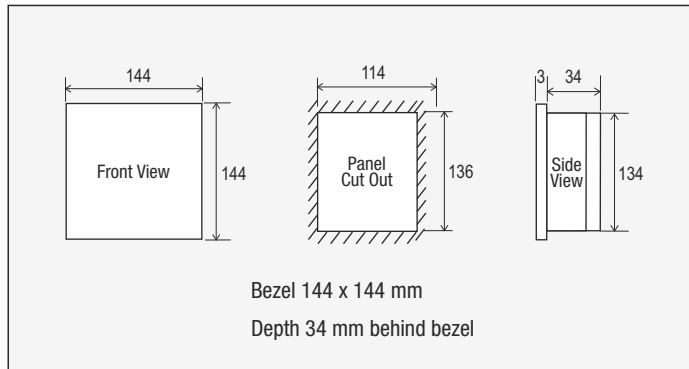
## Environmental Specifications

Temperature	: Operating Temperature : 0° to 60°C
	: Storage Temperature : -20° to 60°C
Humidity	: 0% to 95% without moisture consideration

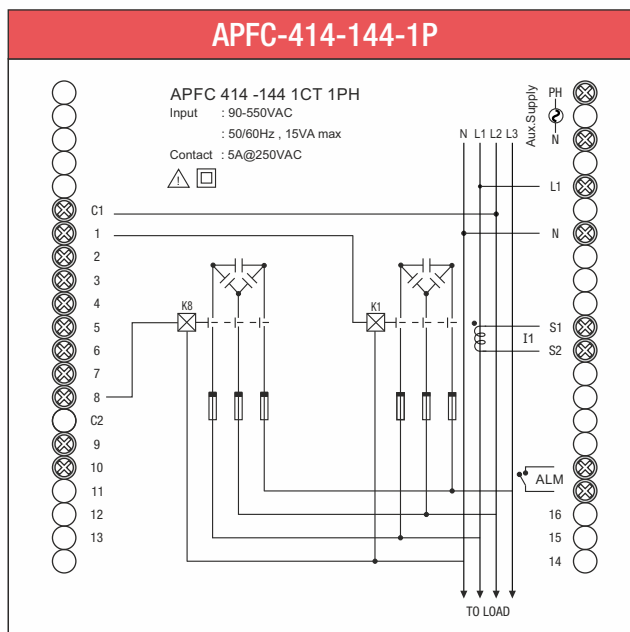
## Mechanical Specifications

Mounting	: Panel Mount
Size	: 144X144mm
Weight	: 500gms
Screw Tightening Torque	: 0.5 NM

### Mechanical Specifications



### Connection Diagram



### Ordering Information

PRODUCT NAME	DESCRIPTIONS
APFC414-144-1PH-6R	APFC 414-144X144 1CT 1PH 6 STAGE-230V
APFC414-144-1PH-8R	APFC 414-144X144 1CT 1PH 8 STAGE-230V
APFC414-144-1PH-12R	APFC 414-144X144 1CT 1PH 12 STAGE-230V
APFC414-144-1PH-6R-AL	APFC 414-144X144 1CT 1PH 6 STAGE-230V ALARM
APFC414-144-1PH-8R-AL	APFC 414-144X144 1CT 1PH 8 STAGE-230V ALARM
APFC414-144-1PH-12R-AL	APFC 414-144X144 1CT 1PH 12 STAGE-230V ALARM