

Digital Power Factor Regulator

NV-6s/8s/14s



features



- True RMS Measurement
- LED Step Indication
- Automatic / Manual Step Operation
- Automatic or Manual C.T. Polarity
- Automatic C/K Detection or User Preset
- Automatic or User Preset Switching Sequence (rotational for same size grouping)
- Operation from 1% Load
- Viewable Parameters:
V, I, Cos Φ , PF, Hz, W, Var, THD-V, THD-I, Harmonics Spectrum up to 15th order for V & I (secondary values for I, W, Var)
- Individual Capacitor Step Info:
- Hour run (accumulative)
- Usage count (accumulative)
- Secondary 1-phase Var value (present)
- Programmable Over Voltage & THD-V alarm
- Dedicated exhaust fan & alarm output
- Alarm Information:
- Under / Over Compensate
- Under / Over Voltage
- Overload, THD-V Limit High
- User selectable capacitor protection for Over voltage & THD-V
- Built-in RS-485 communication (Modbus Protocol)
- Software Lock to prevent unauthorized modification of parameters
- Complies with:
IEC 61000-6-2 / 6-4 Standards
IEC 60255-27-Clause 10.6.4.2 / 4.3

technical data

- Aux Power Supply**
Range (VAC) : 100~275, 200~480 (depending on model)
Consumption : <3 VA
- Power Measurement**
Accuracy (W, Var, Cos Φ , PF) : $\pm 1.0\%$
- AC Current Measurement**
Range : 0.01 ~ 6.50 A
Accuracy : $\pm 1.0\%$
CT range : $\cdot\cdot/5A$
Burden : < 0.1 VA at 5A
- AC Voltage Measurement**
Range : Same as Aux supply
Accuracy : $\pm 1.0\%$
- Frequency Measurement**
Range : 45 ~ 65 Hz
Accuracy : $\pm 0.1\%$
- LEDs Indication**
Individual Steps, Auto/Manual, Aux Fan, Ind., Cap., Alarm, x1000, A / PF, V / Hz, W / Var, thd / nth Harmonic
- Mechanical**
Output Relay (Individual Steps / Alarm / Fan) Rating : SPST 7A, 250 VAC
Electrical Life : 100,000 operations at rated current
Mechanical Life : 5×10^6 operations
No voltage release : < 40ms
Operating Temp. : -5°C ~ +55°C
Humidity : 56 days at 93%RH, 40°C non-condensing
IP Rating : IP54 (front panel)
Installation : Panel flush mount
Weight : 560 g

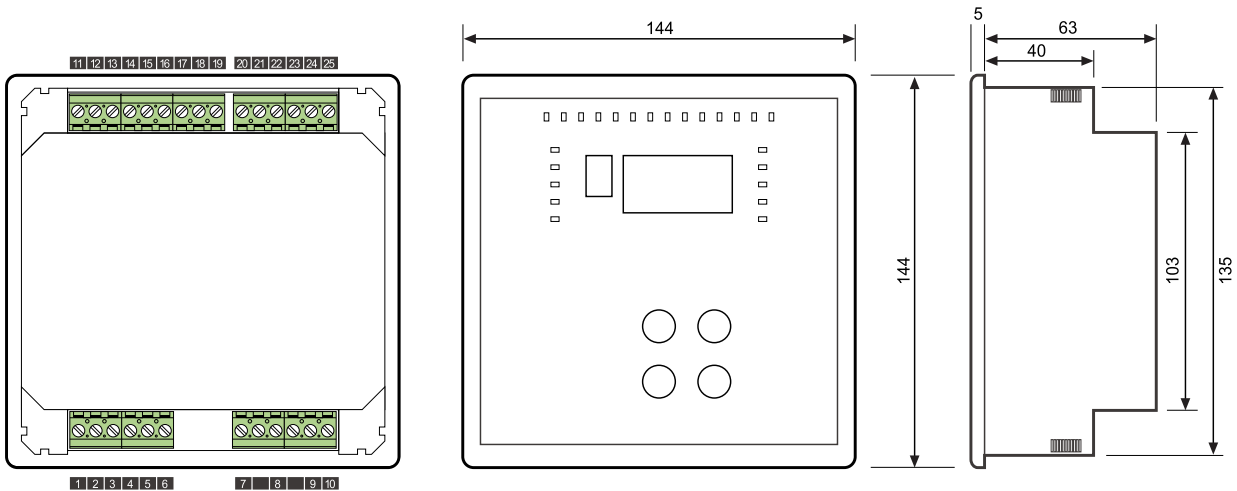
parameter setting

- C/K Value** : Auto or 0.01 ~ 0.80 (step of 0.01)
- Target Cos Φ** : 0.85 (Ind.) ~ 0.90 (Cap.) (step of 0.01)
- Switching Program** : Auto or P-0 ~ P-7
- Switching Interval** : (t-on) : 1s ~ 250s (step of 1s)
(t-off) : 1s ~ 250s (step of 1s)
- Reconnection Inhibit** : OFF or 5s ~ 900s (step of 5s)
- V> (Over Voltage)** : OFF or 100 V ~ 260 V (step of 1 V)
(For Model 220a only)
: OFF or 200 V ~ 450 V (step of 1 V)
(For Model 415a only)
- thd-V > (%)** : OFF or 3, 4, 5, 6, 7, 8, 10%

selectable switching program sequence

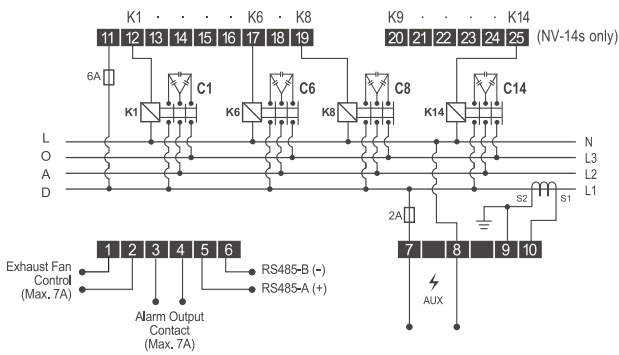
Auto	Automatic
P-0	Linear
P-1	1 : 1 : 1 : 1 : 1
P-2	1 : 2 : 2 : 2 : 2
P-3	1 : 2 : 4 : 4 : 4
P-4	1 : 1 : 2 : 2 : 2
P-5	1 : 1 : 2 : 2 : 4
P-6	1 : 1 : 1 : 2 : 2
P-7	1 : 2 : 4 : 8 : 8

casing dimension



wiring diagram : NV-6s /8s /14s

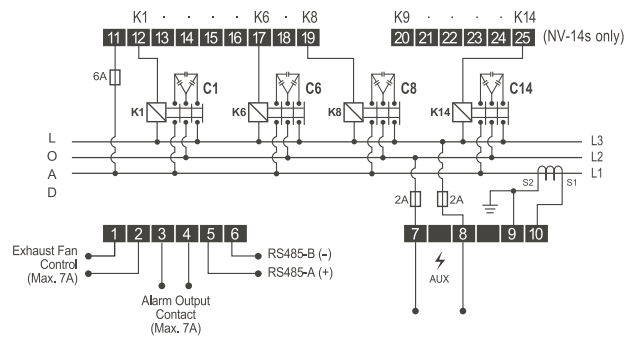
P-n (3P4W)



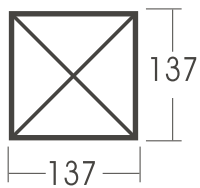
AUX Power Connection	C.T. Phase Connection
L1-N (P-n)	L1
L2-L3 (P-P)	L1

wiring diagram : NV-6s /8s / NV-14s

P-P (3P3W)



panel cut-out



Panel Cut-out : 137 x 137

ordering information

Model	Description
NV-6s-220a	100~275 VAC (P-n / P-P)
NV-6s-415a	200~480 VAC (P-P)
NV-8s-220a	100~275 VAC (P-n / P-P)
NV-8s-415a	200~480 VAC (P-P)

Model	Description
NV-14s-220a	100~275 VAC (P-n / P-P)
NV-14s-415a	200~480 VAC (P-P)

Note: All measurement in mm.